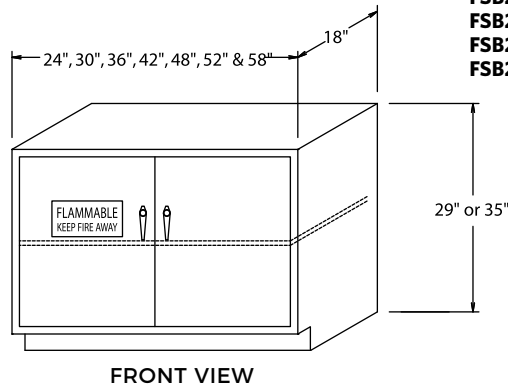


FLAMMABLE + ACID STORAGE CABINETS // VACUUM PUMP CABINET

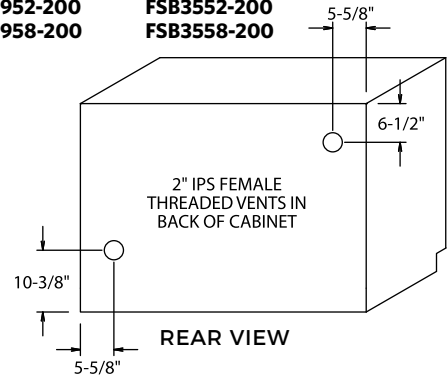
The LS-Flammable Liquid Storage Cabinet is a "cabinet-within-a-cabinet" design with fully welded 18ga interior and exterior units. Both cabinets are completely powder coated inside and out, offering greater protection against corrosion than the standard double panel construction. This design creates a 1.5" airspace on all four sides as well as top and bottom for heat resistance up to 2400 degrees F.

FLAMMABLE STORAGE CABINET



FSB2924-100
FSB2930-200
FSB2936-200
FSB2942-200
FSB2948-200
FSB2952-200
FSB2958-200

FSB3524-100
FSB3530-200
FSB3536-200
FSB3542-200
FSB3548-200
FSB3552-200
FSB3558-200 } **1 Door Units**

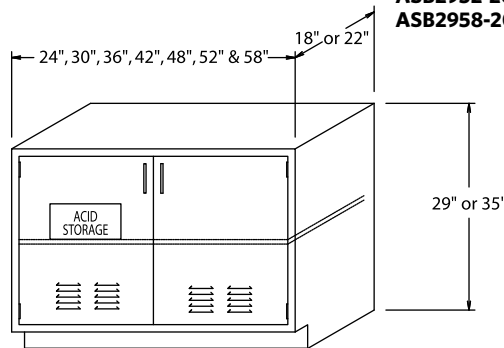


LS-Flammable storage cabinets can be painted any standard color or safety yellow.

For synchronized self-closing doors, add -SCC to the part number. For 22" deep, replace -200 with -220. For mobile cabinet, contact your LS representative.

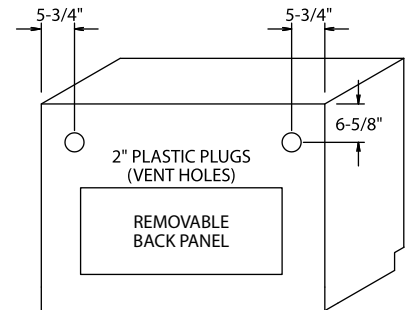
The interior of the cabinet contains one fully adjustable shelf and a 2" deep removable drip pan to capture any spills or leaks inside the cabinet. Exterior depth of the cabinet is 18" and interior depth is 14". A 2" x 2" 12ga support angle is shipped with each cabinet for countertop installation.

ACID STORAGE CABINET



ASB2918-100
ASB2924-100
ASB2930-200
ASB2936-200
ASB2942-200
ASB2948-200
ASB2952-200
ASB2958-200

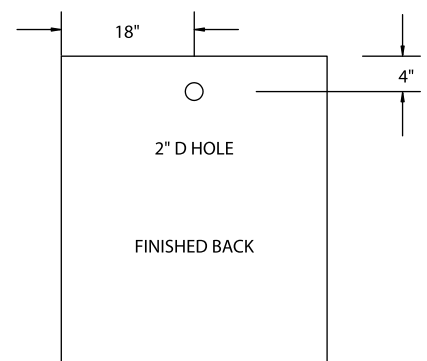
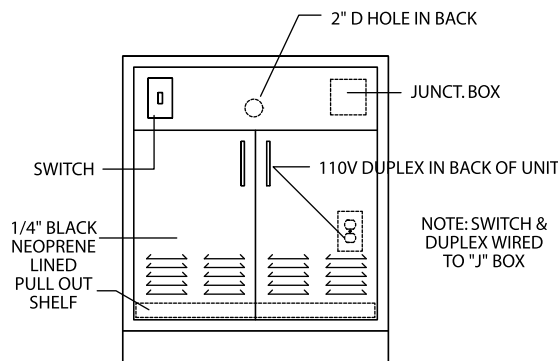
ASB3518-100
ASB3524-100
ASB3530-200
ASB3536-200
ASB3542-200
ASB3548-200
ASB3552-200
ASB3558-200 } **1 Door Units**
Add Suffix "VK" if Vent Kit is Required



LS-Acid storage cabinets can be painted any standard color or safety blue.

Doors have a continuous hinge and lever type handles with a hidden 3-point lock mechanism. If a self-closing feature is required, a hydraulic closure will be attached to the doors and a custom closing system attached to the interior cabinet. The back of the cabinet has two venting holes that are plugged with 2" barrel bungs.

VACUUM PUMP CABINET



LS-Flammable Liquid Storage Cabinets are constructed in accordance with OSHA and NFPA 30, and are UL listed.

Additional insulation materials for noise reduction available upon request.